

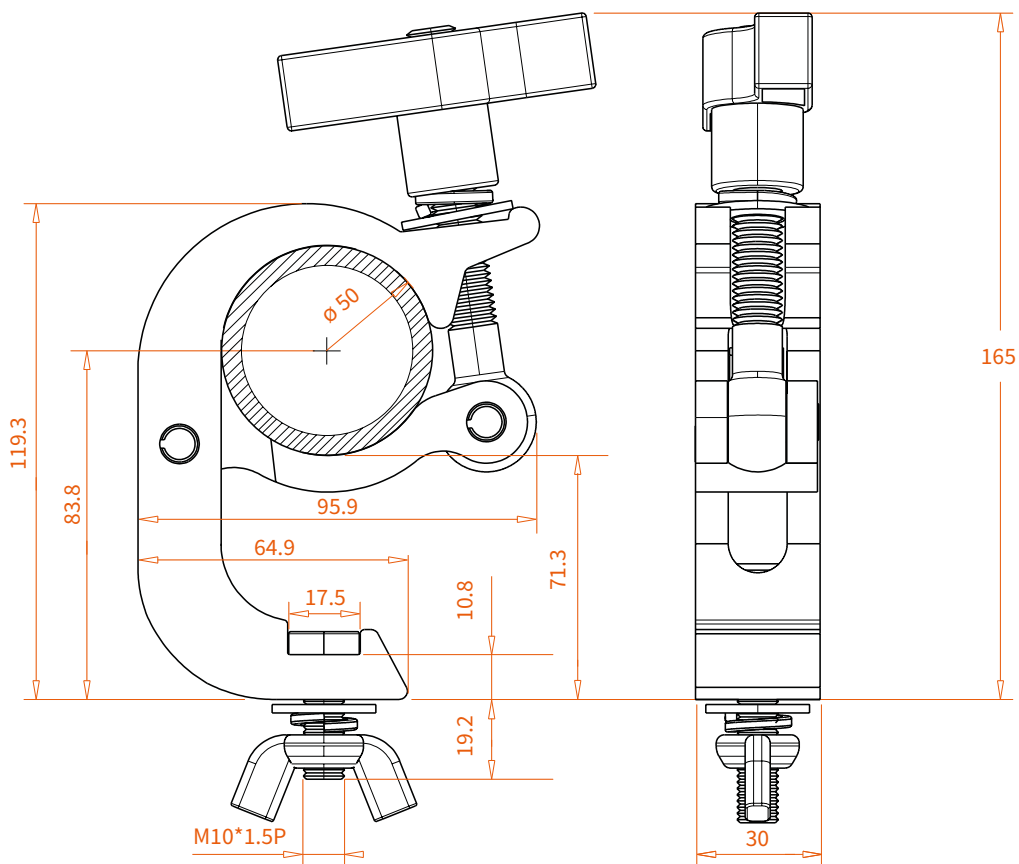
# TECHNICAL DATA

## Quick coupler

Article code: RIHAHCA10  
EAN: 8720094421285  
WLL: 250 kg  
Material: aluminium alloy  
Weight: 0,47 kg  
Colour: silver  
Diameter tube: 48-51 mm



## DIMENSIONS



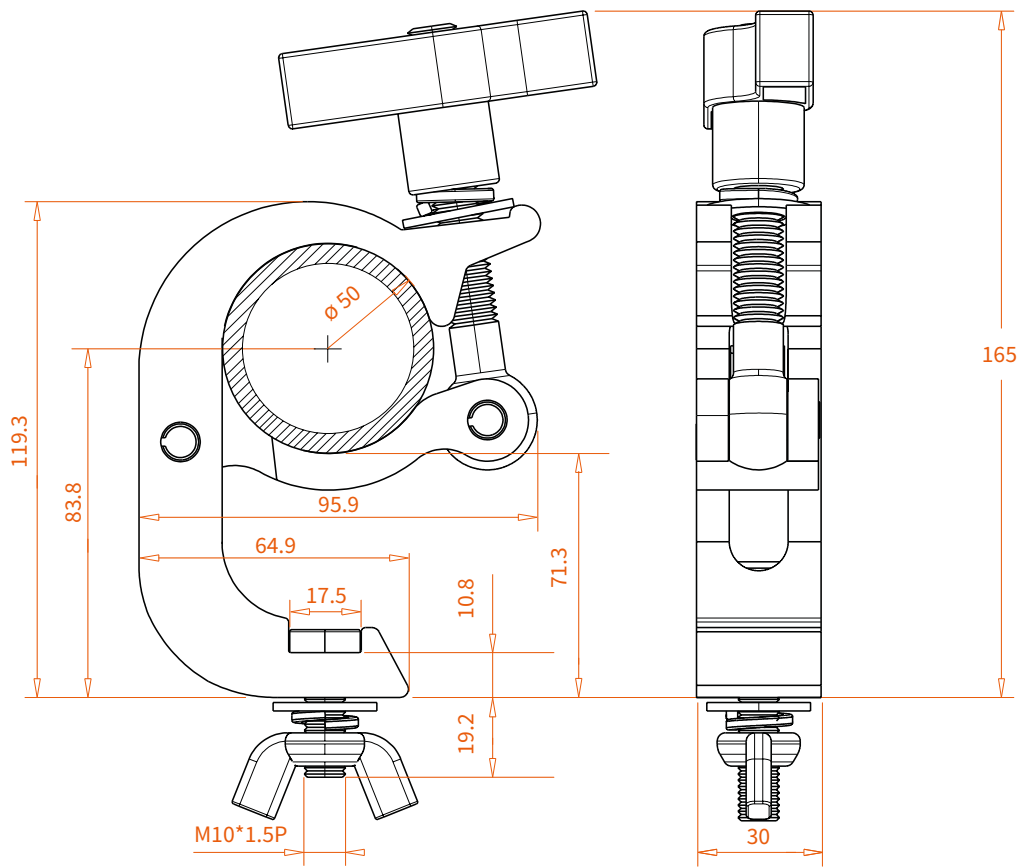
# TECHNICAL DATA

## Quick coupler

Article code:	RIHAHCA12
EAN:	8720094421292
WLL:	250 kg
Material:	aluminium alloy
Weight:	0,47 kg
Colour:	black
Diameter tube	48-51 mm



## DIMENSIONS



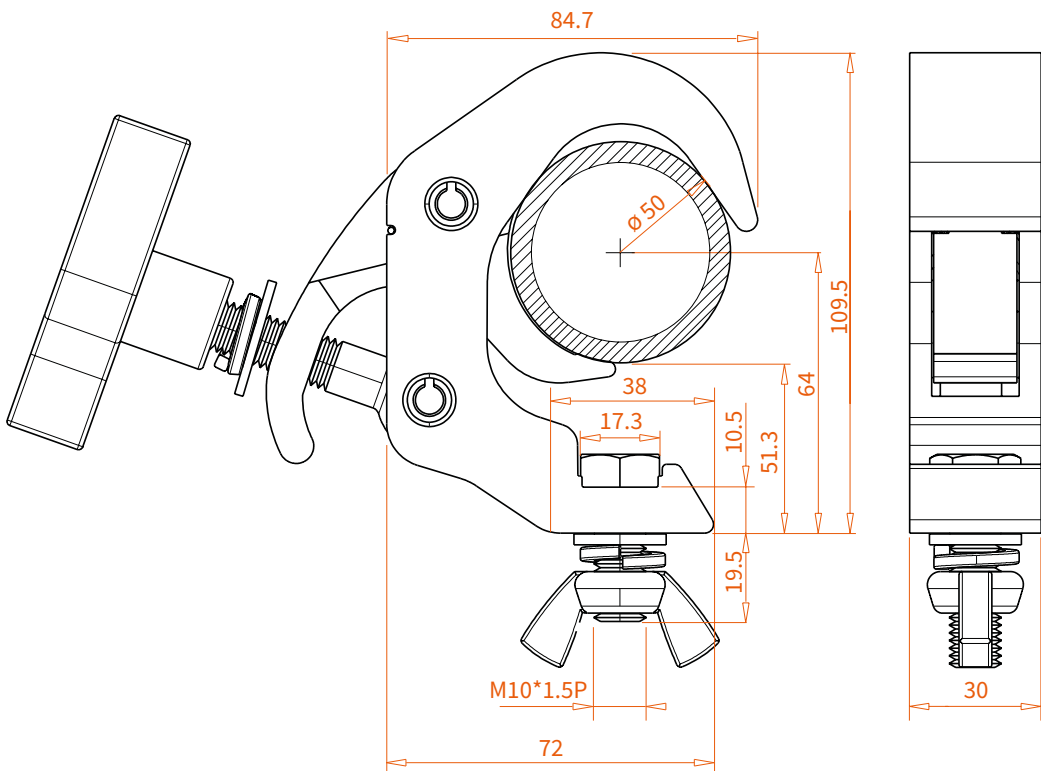
# TECHNICAL DATA

## Selflock coupler easy

Article code:	RIHAHCA14
EAN:	8720094421308
WLL:	250 kg
Material:	aluminium alloy
Weight:	0,50 kg
Colour:	silver
Diameter tube	48-51 mm



## DIMENSIONS



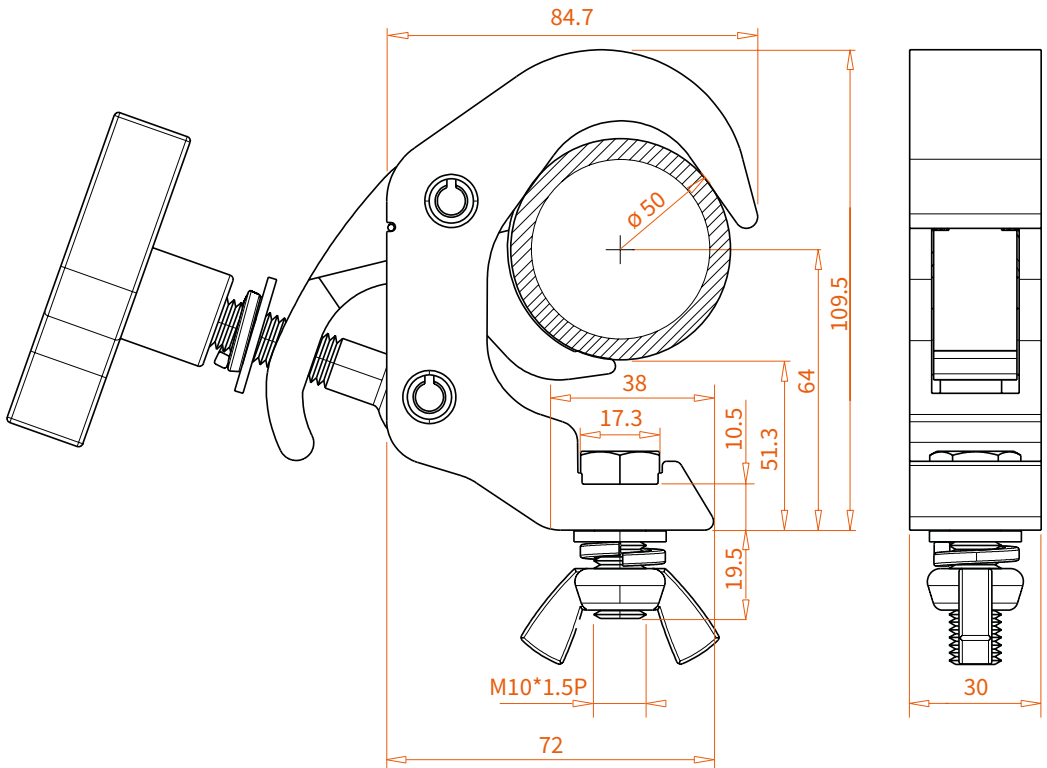
# TECHNICAL DATA

## Selflock coupler easy

Article code:	RIHAHCA16
EAN:	8720094421315
WLL:	250 kg
Material:	aluminium alloy
Weight:	0,47 kg
Colour:	black
Diameter tube	48-51 mm



## DIMENSIONS



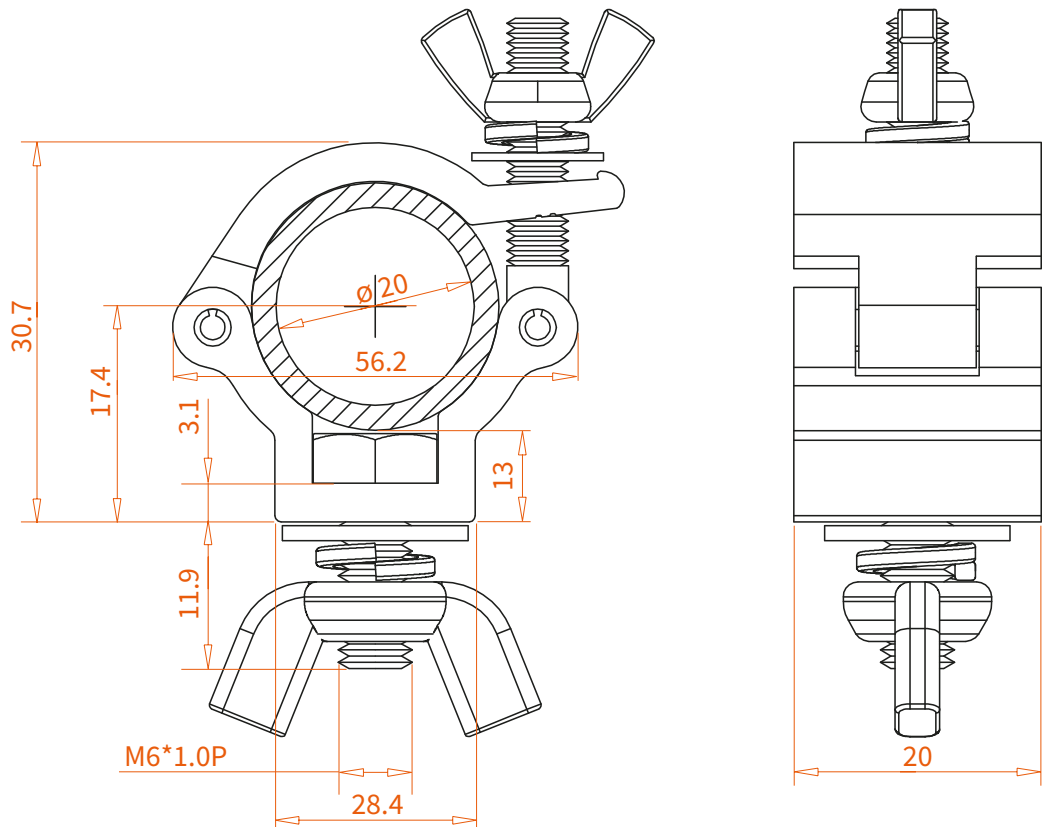
# TECHNICAL DATA

## Halfcoupler

Article code:	RIHAHCA22
EAN:	8720094429779
WLL:	10 kg
Material:	aluminium alloy
Weight:	0,031 kg
Colour:	silver
Diameter tube	18-21 mm



## DIMENSIONS



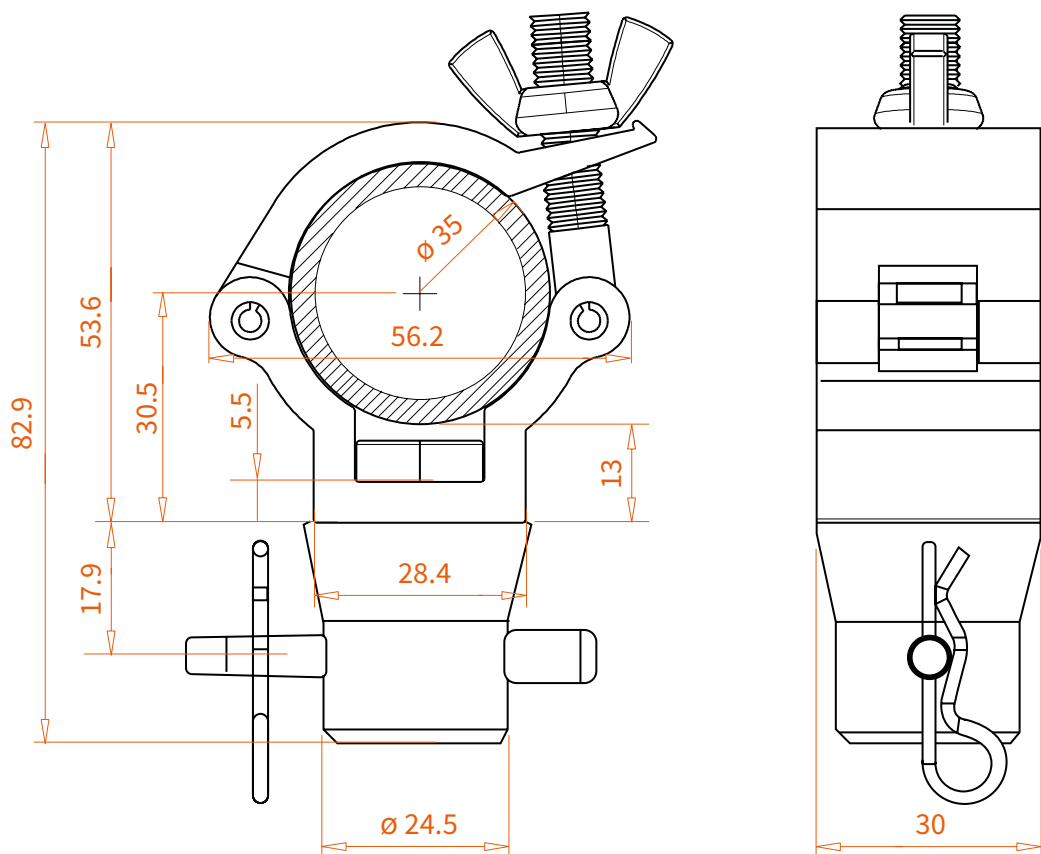
# TECHNICAL DATA

## Halfcoupler with 25 mm halfcone

Article code:	RIHAHCA26
EAN:	8720094429762
WLL:	50 kg
Material:	aluminium alloy
Weight:	0,15 kg
Colour:	silver
Diameter tube	32-35 mm



## DIMENSIONS



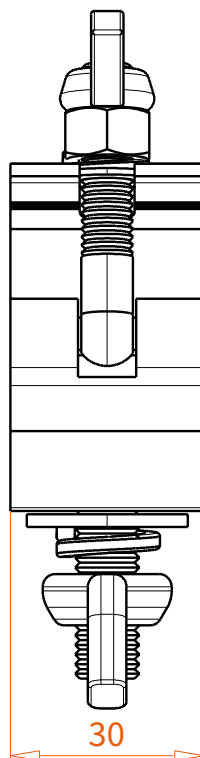
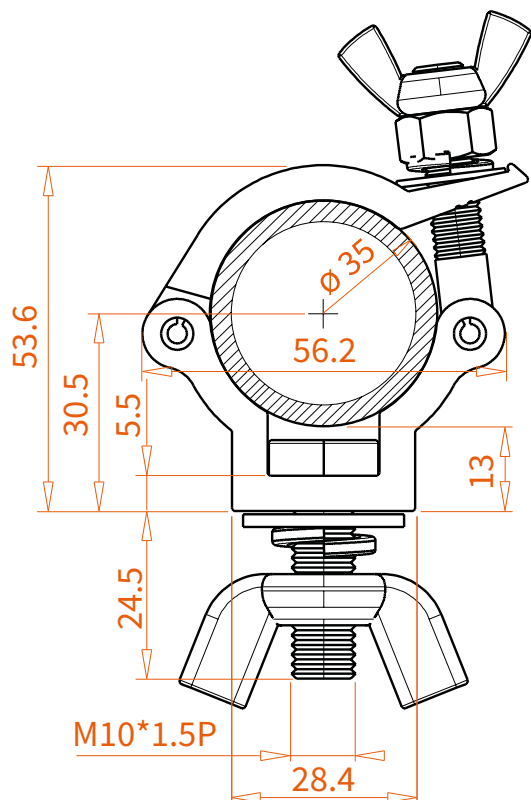
# TECHNICAL DATA

## Halfcoupler

Article code:	RIHAHCA30
EAN:	8720094421339
WLL:	75 kg
Material:	aluminium alloy
Weight:	0,15 kg
Colour:	silver
Diameter tube	32-35 mm



## DIMENSIONS



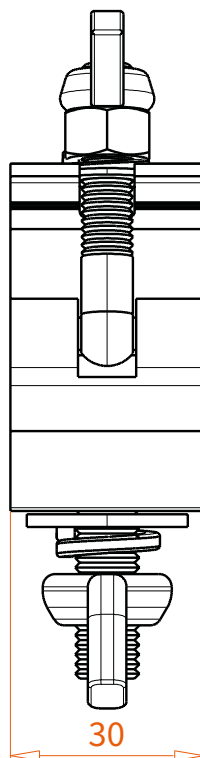
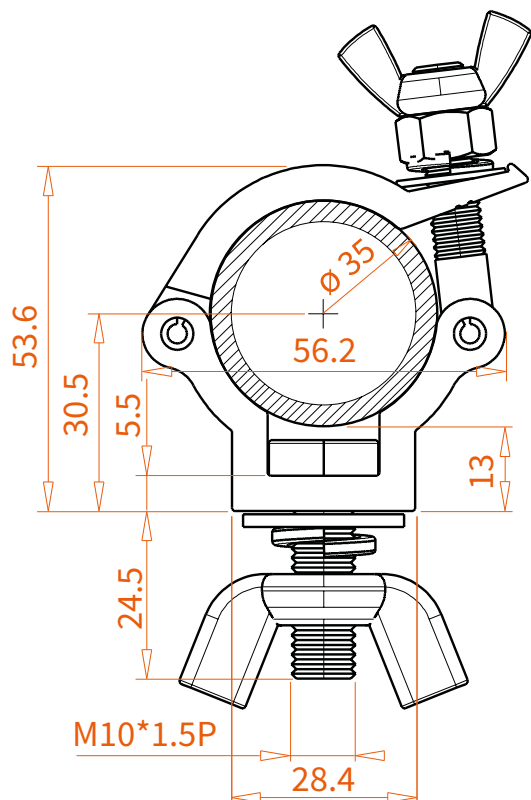
# TECHNICAL DATA

## Halfcoupler

Article code:	RIHAHCA32
EAN:	8720094421346
WLL:	75 kg
Material:	aluminium alloy
Weight:	0,15 kg
Colour:	black
Diameter tube	32-35 mm



## DIMENSIONS





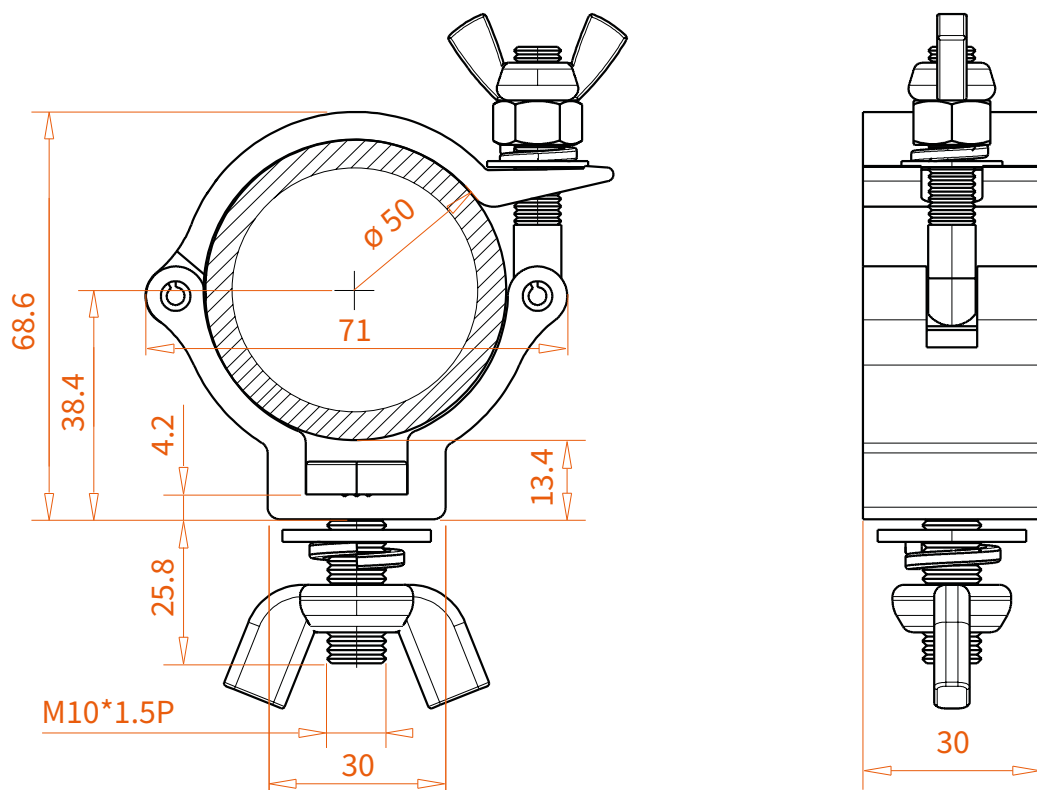
# TECHNICAL DATA

## Halfcoupler

Article code:	RIHAHCA35
EAN:	8720094421353
WLL:	100 kg
Material:	aluminium alloy
Weight:	0,16 kg
Colour:	silver
Diameter tube	48-51 mm



## DIMENSIONS



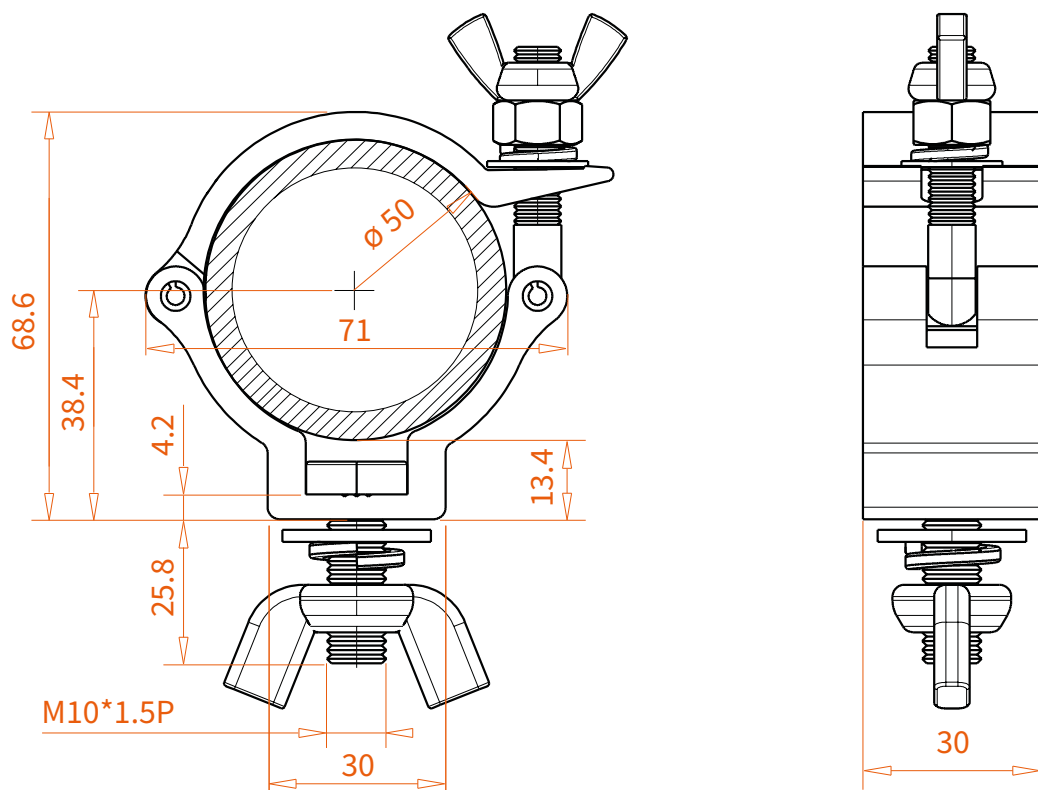
# TECHNICAL DATA

## Halfcoupler

Article code:	RIHAHCA37
EAN:	8720094421360
WLL:	100 kg
Material:	aluminium alloy
Weight:	0,16 kg
Colour:	black
Diameter tube	48-51 mm



## DIMENSIONS



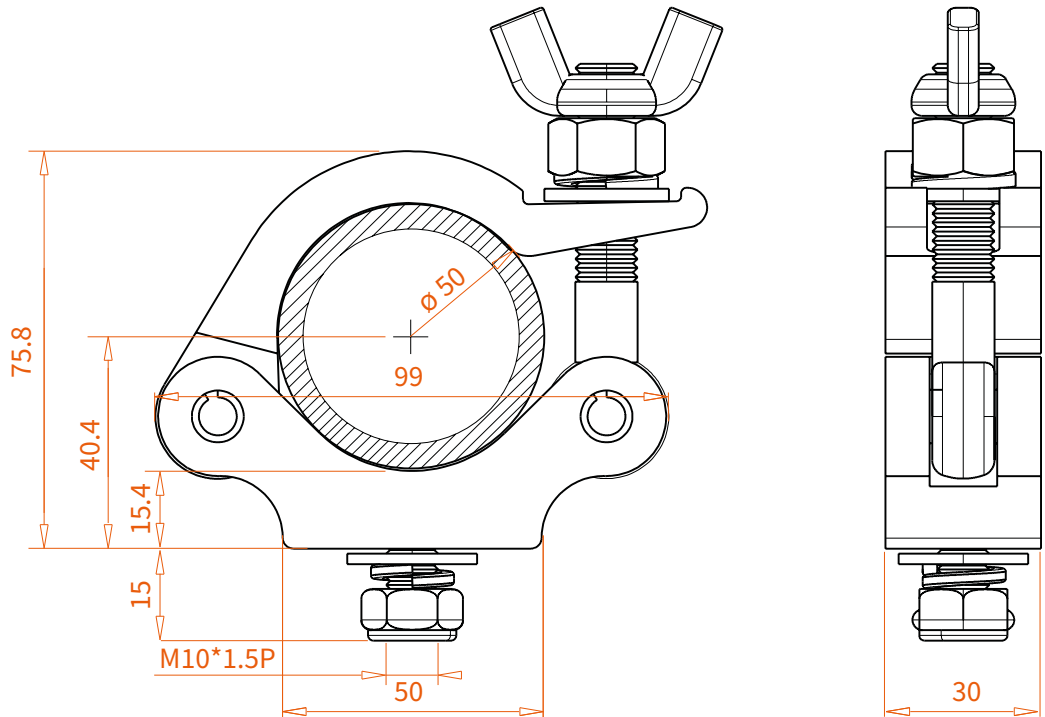
# TECHNICAL DATA

## Halfcoupler

Article code:	RIHAHCA40
EAN:	8720094421384
WLL:	200 kg
Material:	aluminium alloy
Weight:	0,38 kg
Colour:	silver
Diameter tube	48-51 mm



## DIMENSIONS



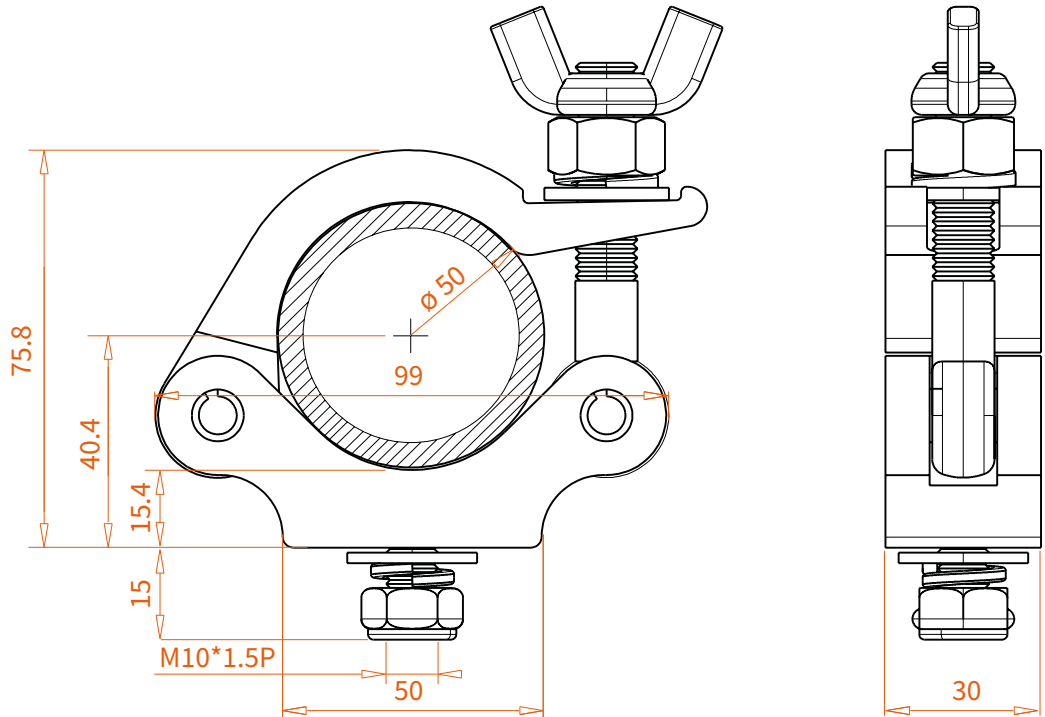
# TECHNICAL DATA

## Halfcoupler

Article code:	RIHAHCA41
EAN:	8720094421391
WLL:	200 kg
Material:	aluminium alloy
Weight:	0,37 kg
Colour:	black
Diameter tube	48-51 mm



## DIMENSIONS



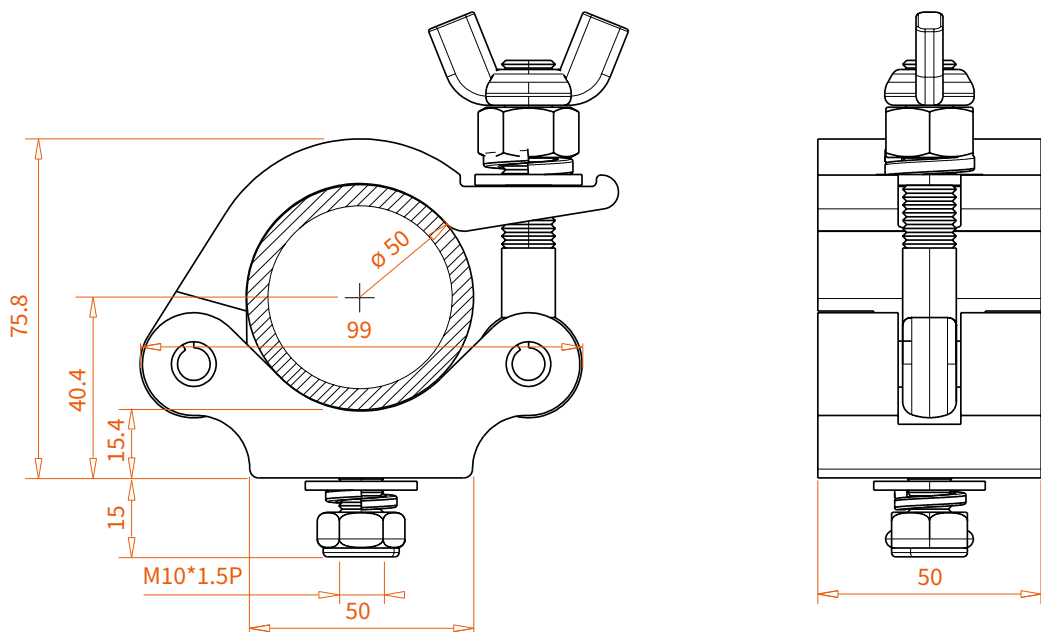
# TECHNICAL DATA

## Halfcoupler

Article code:	RIHAHCA42
EAN:	8720094421407
WLL:	500 kg
Material:	aluminium alloy
Weight:	0,55 kg
Colour:	silver
Diameter tube	48-51 mm



## DIMENSIONS



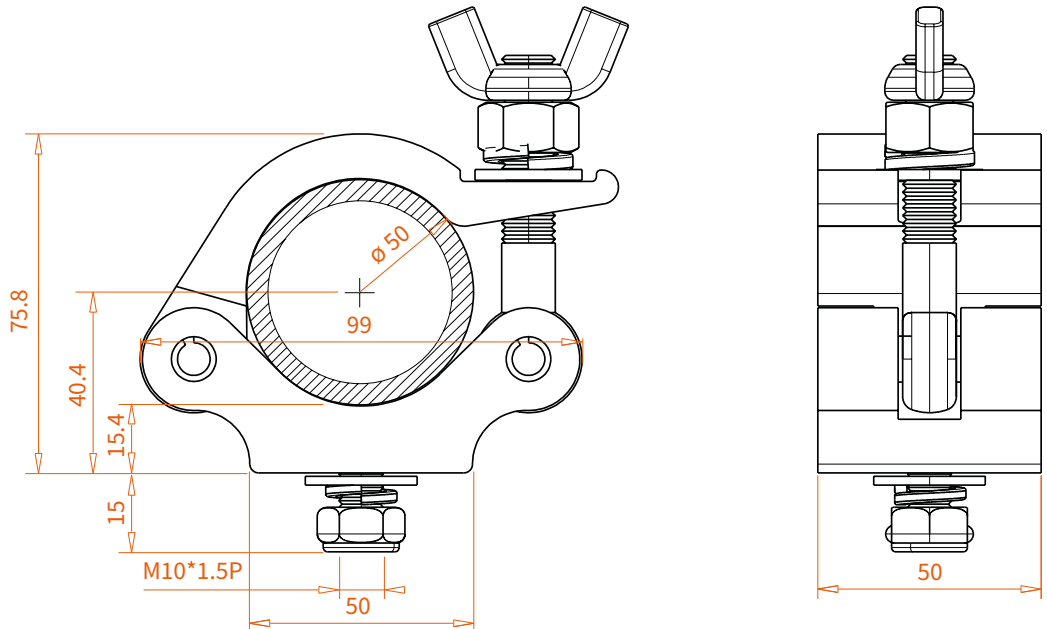
# TECHNICAL DATA

## Halfcoupler

Article code:	RIHAHCA44
EAN:	8720094421414
WLL:	500 kg
Material:	aluminium alloy
Weight:	0,55 kg
Colour:	black
Diameter tube	48-51 mm



## DIMENSIONS



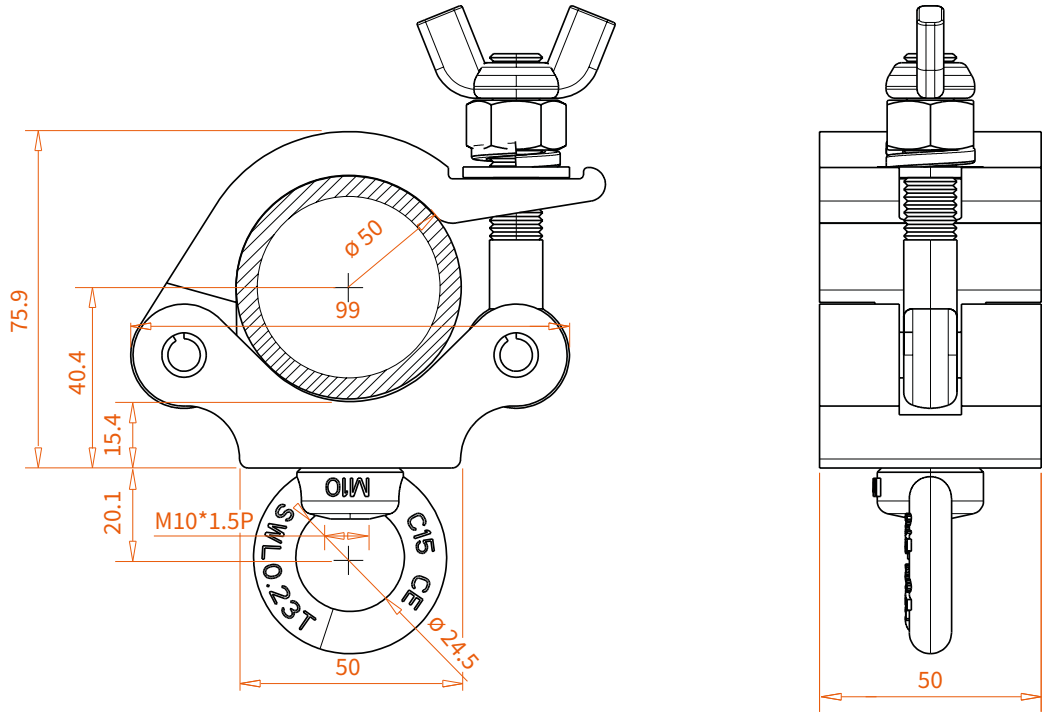
# TECHNICAL DATA

## Halfcoupler

Article code:	RIHAHCA48
EAN:	8720094421421
WLL:	200 kg
Material:	aluminium alloy
Weight:	0,37 kg
Colour:	silver
Diameter tube	48-51 mm



## DIMENSIONS



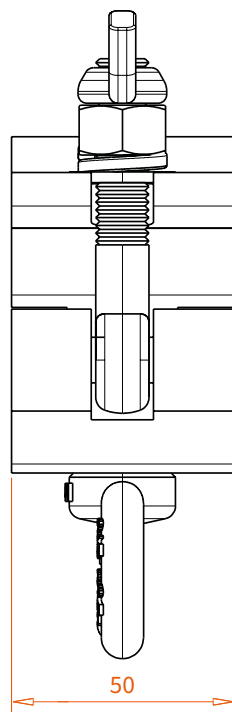
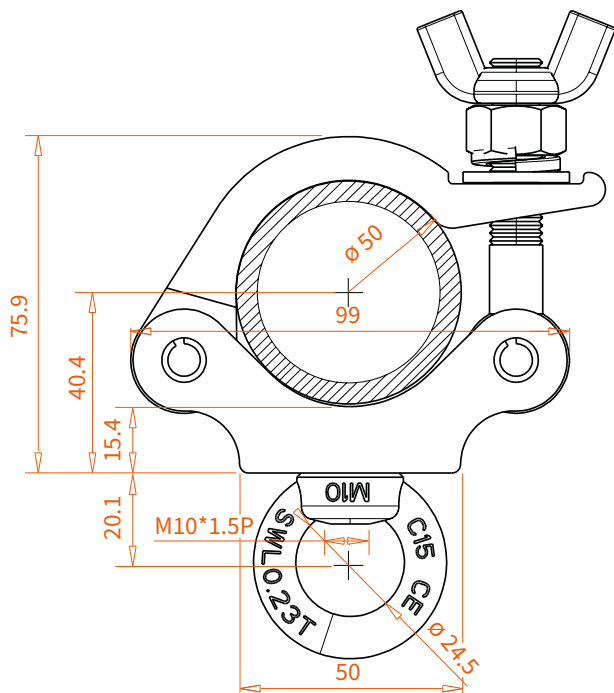
# TECHNICAL DATA

## Halfcoupler

Article code:	RIHAHCA50
EAN:	8720094421438
WLL:	200 kg
Material:	aluminium alloy
Weight:	0,37 kg
Colour:	black
Diameter tube	48-51 mm



## DIMENSIONS





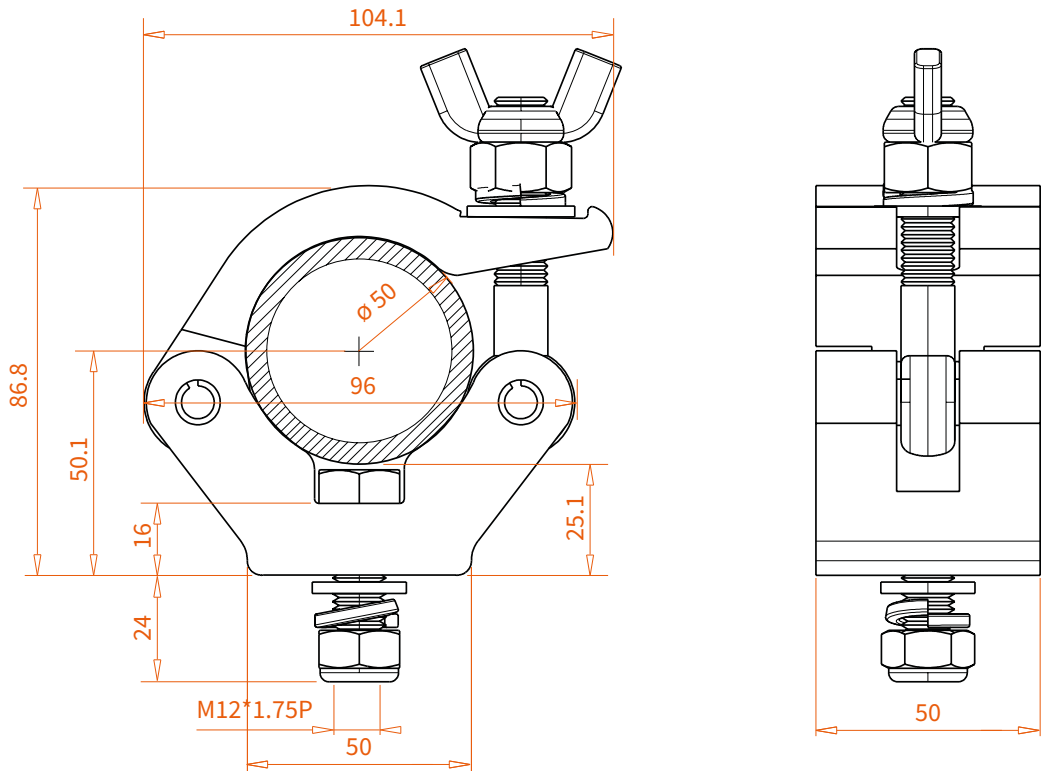
# TECHNICAL DATA

## Halfcoupler

Article code:	RIHAHCA52
EAN:	8720094421445
WLL:	750 kg
Material:	aluminium alloy
Weight:	0,55 kg
Colour:	silver
Diameter tube	48-51 mm



## DIMENSIONS



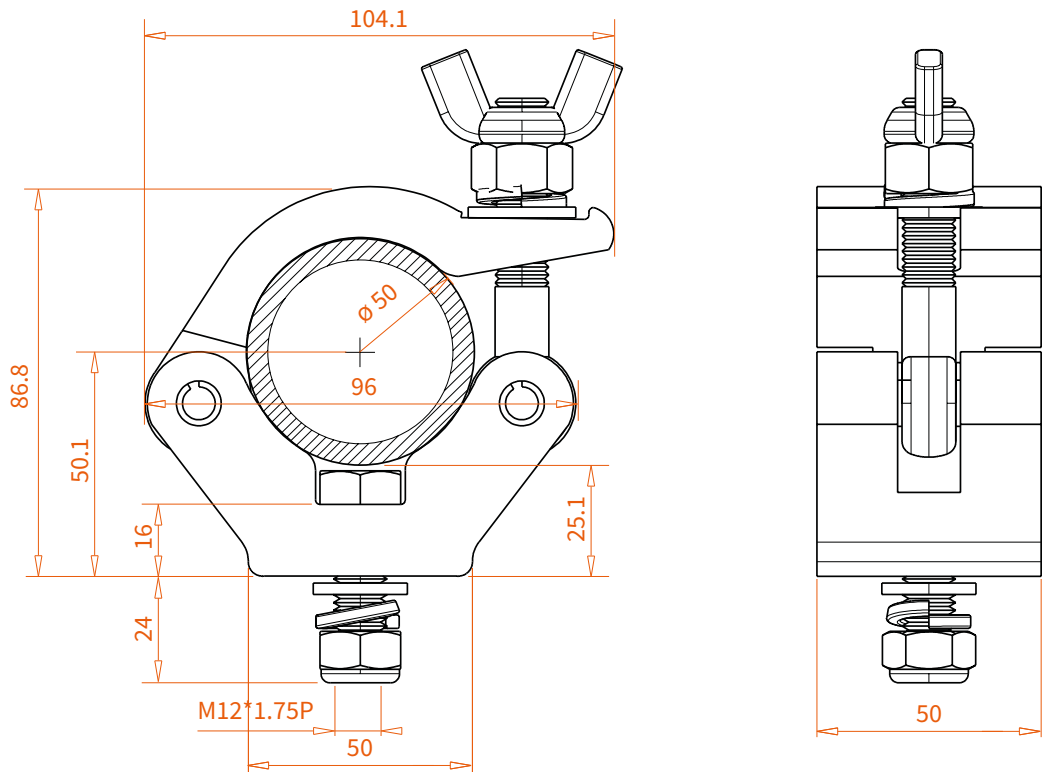
# TECHNICAL DATA

## Halfcoupler

Article code:	RIHAHCA54
EAN:	8720094421452
WLL:	750 kg
Material:	aluminium alloy
Weight:	0,55 kg
Colour:	black
Diameter tube	48-51 mm



## DIMENSIONS



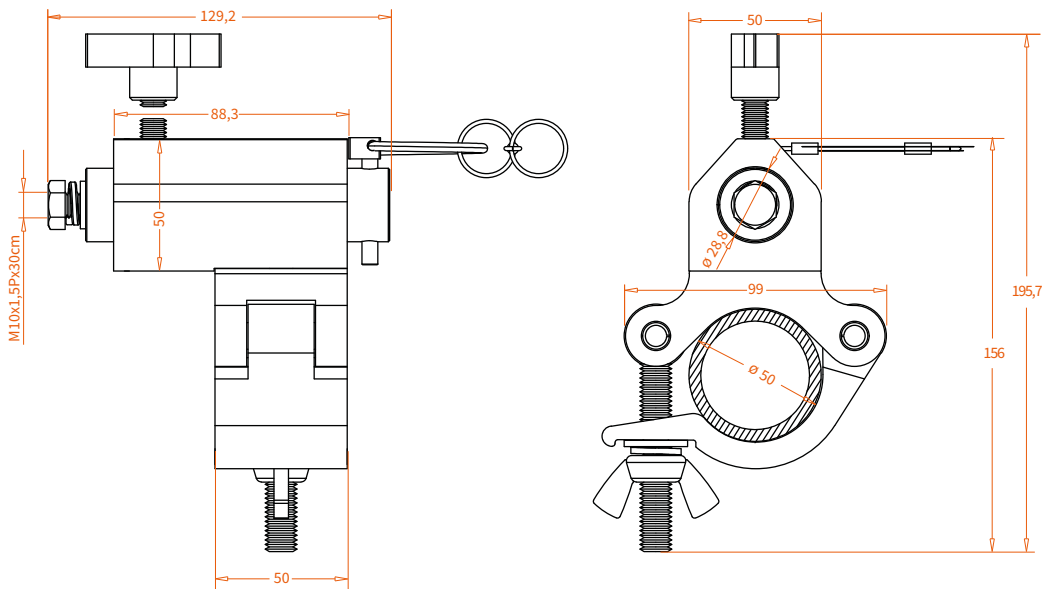
# TECHNICAL DATA

## Halfcoupler with spigot mount

Article code:	RIHAHCA56
EAN:	8720094429786
WLL:	100 kg
Material:	aluminium alloy
Weight:	0,33 kg
Colour:	silver
Diameter tube	48-51 mm



## DIMENSIONS



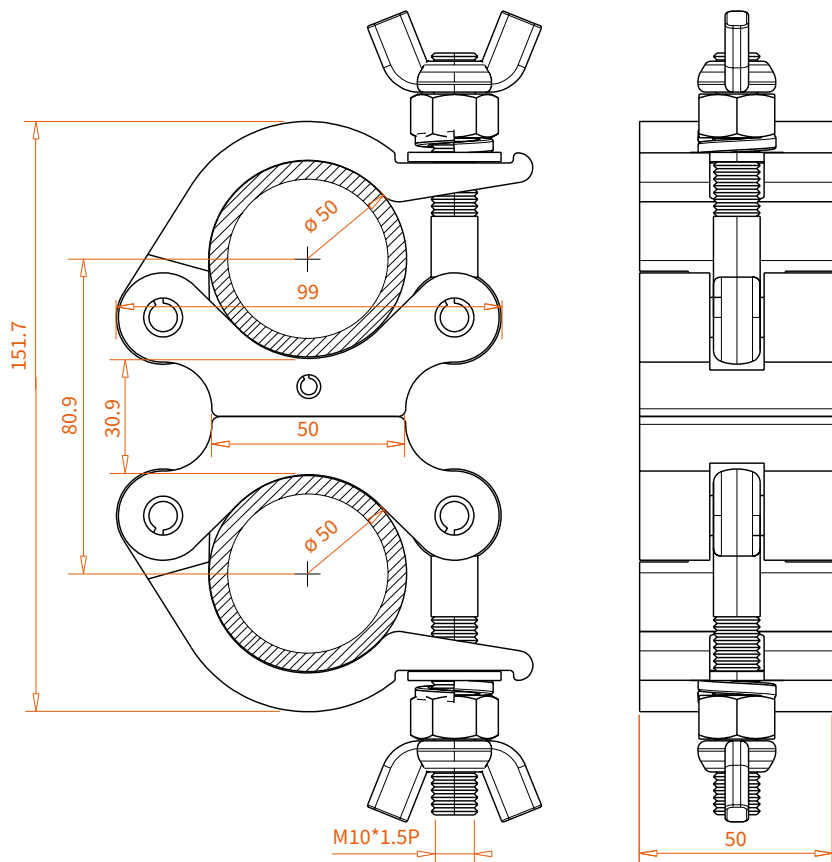
# TECHNICAL DATA

## Swivel coupler

Article code: RIHAHCA60  
EAN: 8720094421469  
WLL: 500 kg  
Material: aluminium alloy  
Weight: 1,07 kg  
Colour: silver  
Diameter tube: 48-51 mm



## DIMENSIONS



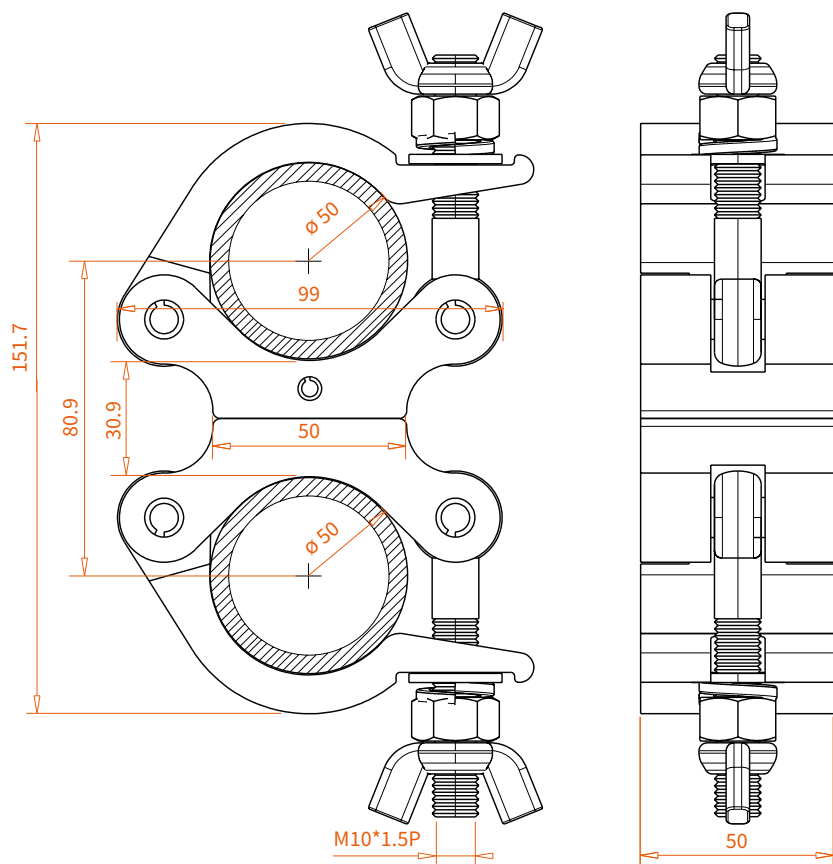
# TECHNICAL DATA

## Swivel coupler

Article code:	RIHAHCA62
EAN:	8720094421476
WLL:	500 kg
Material:	aluminium alloy
Weight:	1,06 kg
Colour:	black
Diameter tube	48-51 mm



## DIMENSIONS



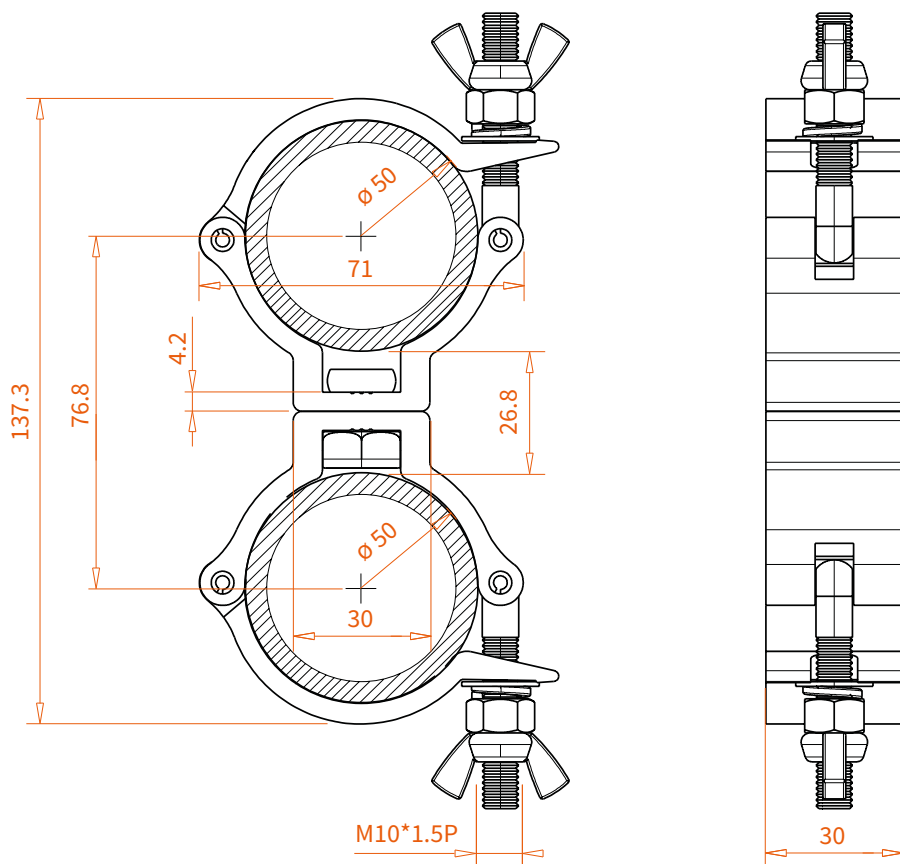
# TECHNICAL DATA

## Swivel coupler

Article code:	RIHAHCA64
EAN:	8720094421483
WLL:	100 kg
Material:	aluminium alloy
Weight:	0,25 kg
Colour:	silver
Diameter tube	48-51 mm



## DIMENSIONS



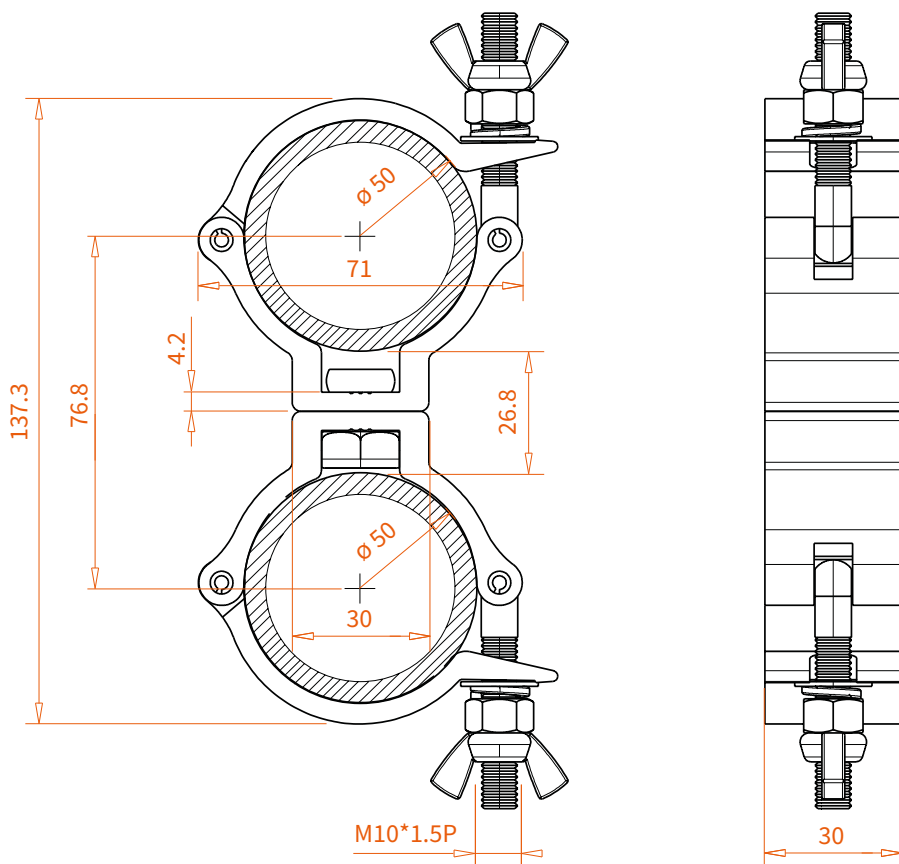
# TECHNICAL DATA

## Swivel coupler

Article code:	RIHAHCA66
EAN:	8720094421490
WLL:	100 kg
Material:	aluminium alloy
Weight:	0,25 kg
Colour:	black
Diameter tube	48-51 mm



## DIMENSIONS



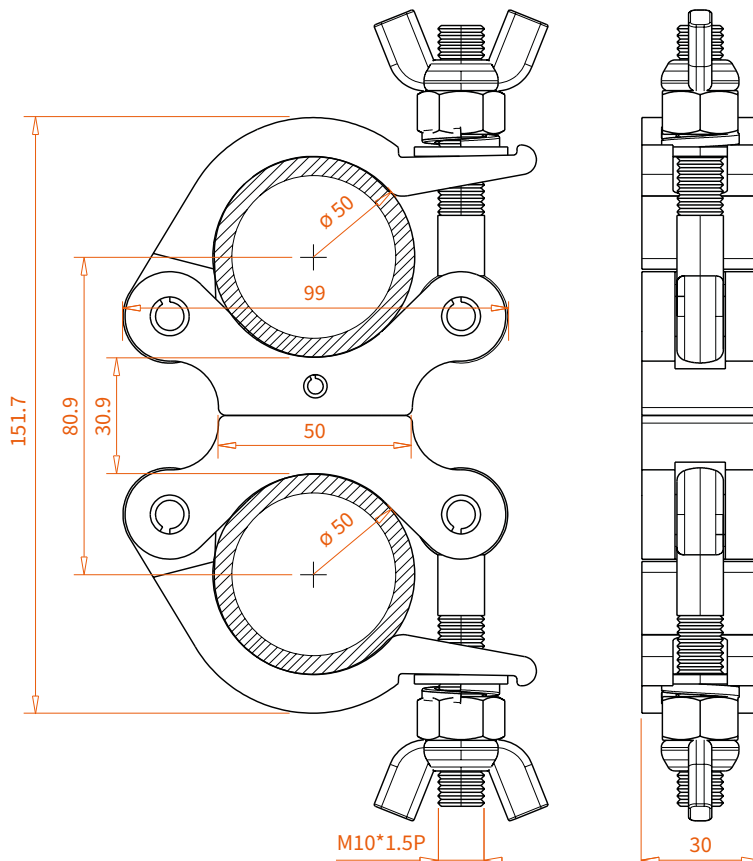
# TECHNICAL DATA

## Swivel coupler

Article code:	RIHAHCA67
EAN:	8720094421506
WLL:	200 kg
Material:	aluminium alloy
Weight:	1,07 kg
Colour:	silver
Diameter tube	48-51 mm



## DIMENSIONS





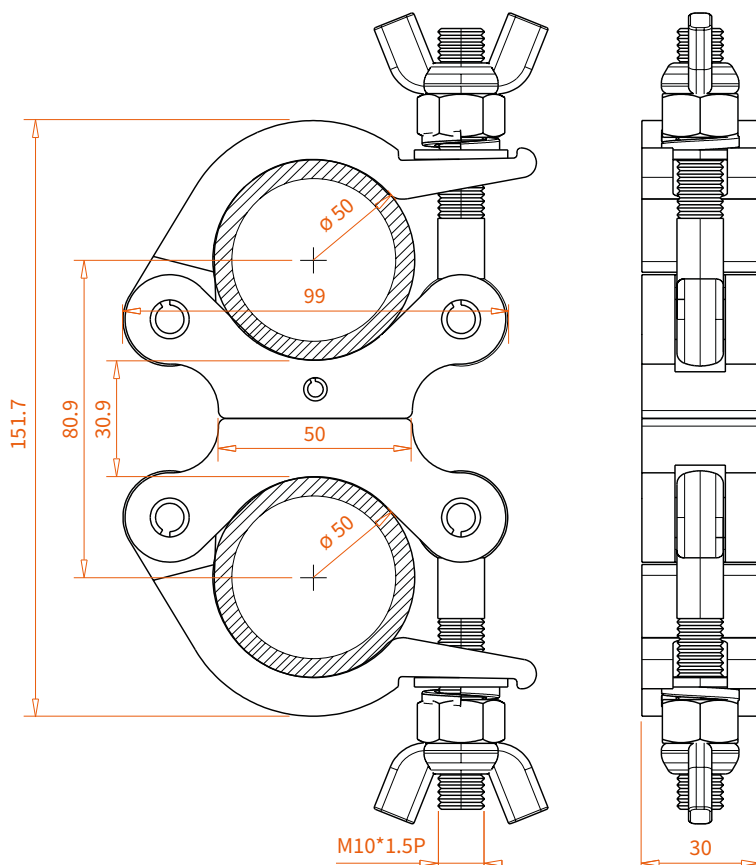
# TECHNICAL DATA

## Swivel coupler

Article code:	RIHAHCA69
EAN:	8720094427768
WLL:	200 kg
Material:	aluminium alloy
Weight:	1,07 kg
Colour:	black
Diameter tube	48-51 mm



## DIMENSIONS



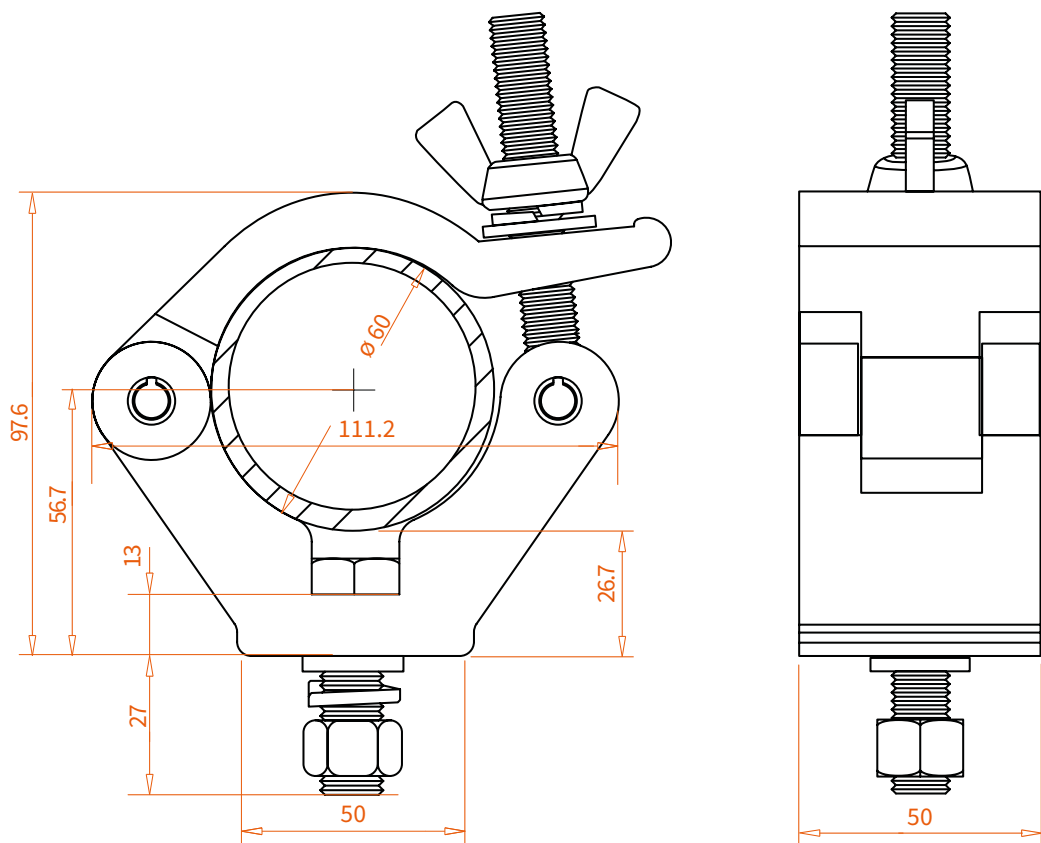
# TECHNICAL DATA

## Halfcoupler

Article code:	RIHAHCA70
EAN:	8720094421513
WLL:	750 kg
Material:	aluminium alloy
Weight:	0,73 kg
Colour:	silver
Diameter tube	58 - 61 mm



## DIMENSIONS



# TECHNICAL DATA

## Halfcoupler

Article code:	RIHAHCA72
EAN:	8720094421520
WLL:	750 kg
Material:	aluminium alloy
Weight:	0,73 kg
Colour:	black
Diameter tube	58 - 61 mm



## DIMENSIONS

